



## AVK GATE VALVE, SUPA MAXI™/PE PIPE END, PN10

638/00-126

One end with Supa Maxi™ universal tensile coupling/one end with black/blue SDR17 PE100 pipe

AVK gate valves with one Supa Maxi™ coupling end and one PE end offers a combination of two well-known designs ensuring a long lasting solution with ease of installation. The Supa Maxi™ end connects to any pipe material and the PE end enables direct welding into PE pipelines. The valve itself is of our standard gate valve design with a wedge fully vulcanized with AVK's own drinking water approved EPDM rubber compound, triple safety stem sealing system and superior corrosion protection.

### Product description:

Gate valve with Supa Maxi™/PE pipe end, SDR17. For drinking water and neutral liquids to max. 20°C. The maximum working temperature is set according to the ISO9080 lifetime requirements for PE pipes, and is therefore not the max. temperature for the valve.

### Standards:

- Designed according to EN 1074 (DIN 3352), Designed according to EN 1171

### Test/Approvals:

- Seat: 1.1 x PN (in bar), Body: 1.5 x PN (in bar). Operation torque test
- Hydraulic test according to EN 1074-1 and 2 / EN 12266

### Features:

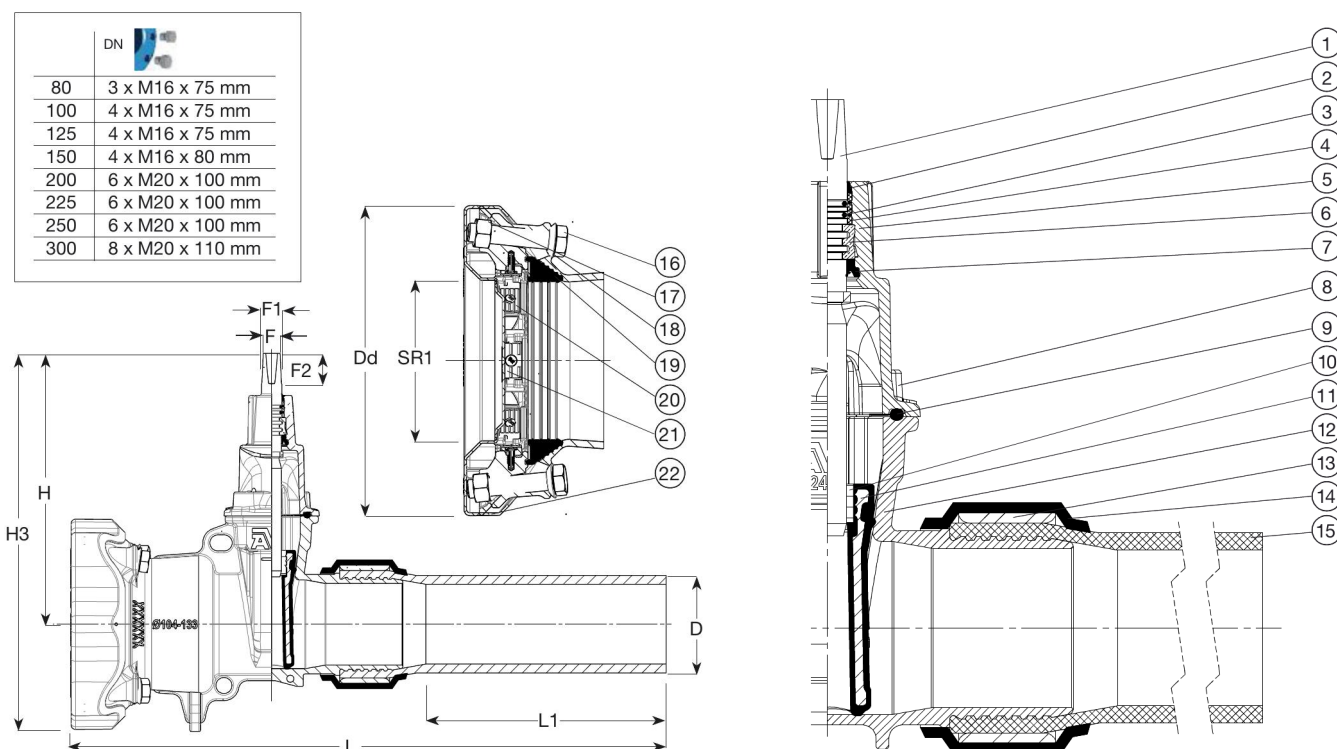
- Fixed, integral wedge nut prevents vibration and ensures durability
- Wedge fully vulcanized with drinking water approved EPDM rubber and equipped with wedge shoes to provide smooth operation
- Large conical stem hole in the wedge prevents stagnant water
- Wedge and body guide rails ensure stable operation
- Stainless steel stem with wedge stop and rolled threads for high strength
- Full circle thrust collar provides fixation of the stem and low free running torques
- Triple safety stem sealing with an NBR wiper ring, a polyamide bearing with four NBR O-rings, and an EPDM rubber manchette
- Round EPDM bonnet gasket fixed in a recess
- Countersunk and sealed stainless steel bonnet bolts encircled by the bonnet gasket
- Full bore
- Low operating torque
- Fusion bonded epoxy coating in compliance with DIN 3476 part 1 and EN 14901, GSK approved
- Supa Maxi™ coupling end: Patented SupaGrip™ sealing with bracket ensures full support of the gasket even at minimum pipe size. Full tensile strength on all pipes is ensured by two different metal grip segments - every other of gunmetal for PE/PVC and of hardened stainless steel for hard surface pipes. Angular deflection  $\pm 4^\circ$ . Drinking water approved EPDM rubber. Notice: Observe separate mounting instructions for installation.
- PE pipe end: A standard PE pipe is pressed onto the grooved valve end, locked with a steel ring and sealed with a plastic shrink hose. A bottless, full bore tensile resistant connection stronger than the PE pipe itself.

### Accessories:

Stem cap, handwheel, extension spindle, surface box and support bush



Expect ... **AVR**



**Component list:**

1. Stem	Stainless steel 1.4104 (430F)	12. Body	Ductile iron GJS-500-7 (GGG-50)
2. Wiper ring	NBR rubber	13. Sleeve	Carbon steel
3. O-ring	NBR rubber	14. Shrink hose	Plastic
4. Bearing	Polyamide	15. Pipe	PE
5. Bonnet	Ductile iron GJS-500-7 (GGG-50)	16. Nut	Stainless steel A4
6. Thrust collar	Brass DZR CW602N	17. Bolt	Stainless steel A2
7. Manchette	EPDM rubber	18. Washer	Stainless steel A2
8. Bonnet bolt	Stainless steel A2, sealed with hotmelt	19. Gasket	EPDM rubber
9. Bonnet gasket	EPDM rubber	20. Grip segment	Stainless steel / bronze CC491K
10. Wedge nut	Brass DZR CW626N	21. Bracket	Cast steel
11. Wedge	Ductile iron, EPDM encapsulated	22. Protection cap	PE

Components may be substituted with equivalent or higher class materials without prior notification.

**Reference nos. and dimensions:**

AVK ref. no.	DN mm	Product PN Class	Seal range SR1 mm	Dd mm	D mm	L mm	L1 mm	H mm	H3 mm	F mm	F1 mm	F2 mm	Theoretical weight/kg
638-090-00-066426099	80	PN10	82-106	213	90	680	255	282	400	17	20	34	14
638-110-00-066426099	100	PN10	104-133	237	110	680	250	305	430	19	22	34	20
638-125-00-066426099	125	PN10	104-133	237	125	662	250	346	467	19	22	34	24
638-160-00-066426099	150	PN10	159-188	309	160	769	325	400	557	19	22	34	37
638-200-00-066426099	200	PN10	193-227	389	200	811	255	490	672	24	27	34	68
638-250-00-0664260	250	PN10	266-301	486	250	971	420	664	886	27	31	47	118
638-315-00-0664260	300	PN10	314-356	510	315	1029	355	740	997	27	31	47	173